



Aqua Creek Products

THE LEADERS IN RECREATION, FITNESS, AND ABILITY!



Available in a variety of accent colors

(blue plastics standard)



Available in a variety of powder coat colors



Great for Rehabilitation

Item# F-702RNLA

The Revolution Lift provides the ability to service both above and in ground pools & spas. This extremely versatile lift accommodates up to 500* pounds and the variety of accessories available make the Revolution lift ideal for hospital and rehabilitation facilities.

OPTIONS/ACCESSORIES:

ITEM #

DESCRIPTION

F-710RLA	Anchor kit, standard 2" ID x 8" deep
FC-77RLA-C	Anchor kit, for semi-recessed, shallow concrete
F-720BL-C	Cover, standard lockable, blue
F-720SSC	Cover, for use with solar charger
F-019CA	Cycle attachment
F-730RSA-S2	Gurney assembly option*
F-706RLSS	Sling seat assembly option
F-045SCH	Solar charging station
F-734RSA	Spine-board assembly option*
F-714RTC	Transport cart
F-705-S3	Wheelchair picker, wheelchair not included*

*400 lb capacity for deep draft version

*350 lb capacity with gurney, spine board, and wheelchair attachments



Spineboard Accessory



Gurney Accessory



U.S. Patent No.
D507,769 S

FEATURES:

- 500* lb (226.5 kg) weight capacity
- Independently verified to ADA standards
- Clearances vary by wall height & width
- 360° powered rotation in either direction
- Adjustable footrest & lap belt
- Rechargeable battery with wall mount charger
- 5 year structural warranty
- 5 year pro-rated electronics warranty



Sling Seat Accessory



Wheelchair Accessory

ADA COMPLIANT

strack

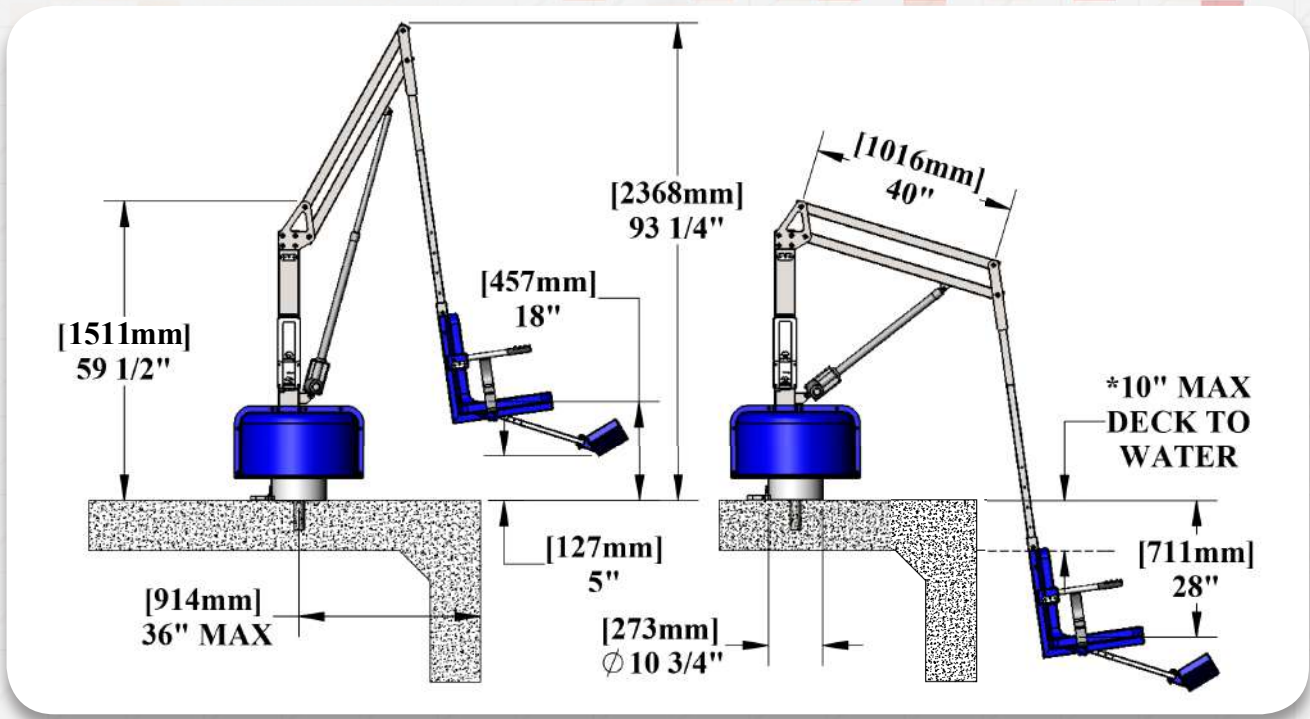
Patienten-
und Pflegebedarf

Strack AG
Ebnatstrasse 125
8200 Schaffhausen

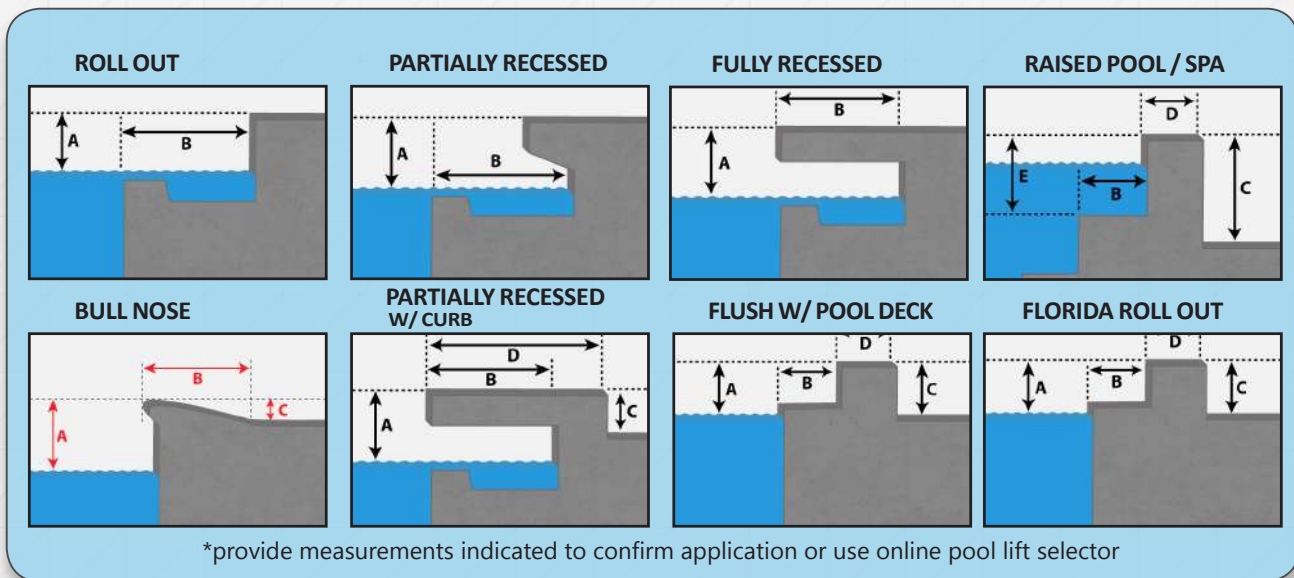
052 630 31 60
www.strack.ch
info@strack.ch

The Revolution Lift

PRODUCT SPECIFICATIONS



APPLICABLE POOL PROFILES



To confirm specific application go to www.aquacreek.com for our **Pool Lift Selector**



Become a member of our new **Dealer and Architect** page. Access to CAD blocks, CSI specs and sales materials.